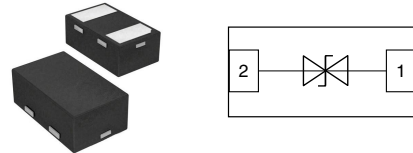


ESD Protection Diode in DFN0603

Features

- 100Watts peak pulse power ($t_p = 8/20\mu s$)
- Tiny DFN0603 package
- Bidirectional configurations
- Solid-state silicon-avalanche technology
- Low clamping voltage
- Low leakage current
- Medium capacitance ($C_j = 10pF$ typ.)
- Protection one data/power line to:
 - IEC 61000-4-2 $\pm 20kV$ contact $\pm 25kV$ air
 - IEC 61000-4-4 (EFT) 40A (5/50ns)
 - IEC 61000-4-5 (Lightning) 2A (8/20 μs)



Mechanical Data

- **Case:** DFN0603 (plastic package).
Lead free; RoHS compliant; Halogen free
- **Molding Compound Flammability Rating:**
UL 94 V-0
- **Terminals:** High temperature soldering guaranteed:
260 °C/10 sec. at terminals

Applications

- Cell Phone Handsets and Accessories
- Microprocessor based equipment
- Personal Digital Assistants (PDA's)
- Notebooks, Desktops, and Servers
- Portable Instrumentation

Absolute Maximum Ratings

Ratings at 25 °C, ambient temperature unless otherwise specified

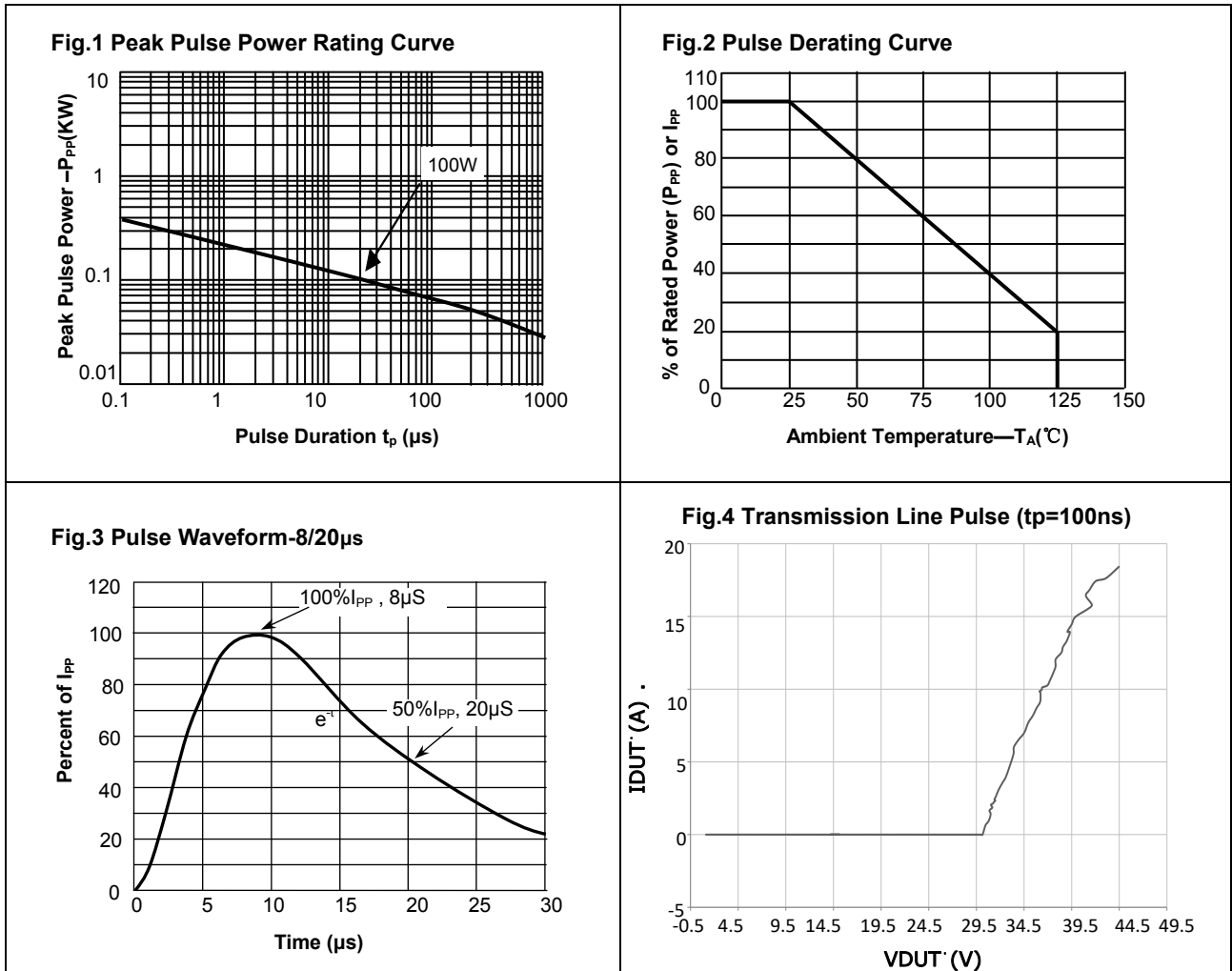
Parameter	Symbol	Value	Unit
Peak Pulse Power ($T_P = 8/20\mu s$)	P_{PP}	100	W
ESD contact/air discharge (IEC-61000-4-2)	V_{ESD}	20/25	kV
Peak Pulse Current ($t_p = 8/20\mu s$)	I_{PP}	2	A
Junction Temperature	T_J	-55 to +125	°C
Storage temperature	T_{STG}	-55 to +150	°C
Maximum Lead Solder Temperature(10 second duration)	T_L	260	°C

Electrical Characteristics

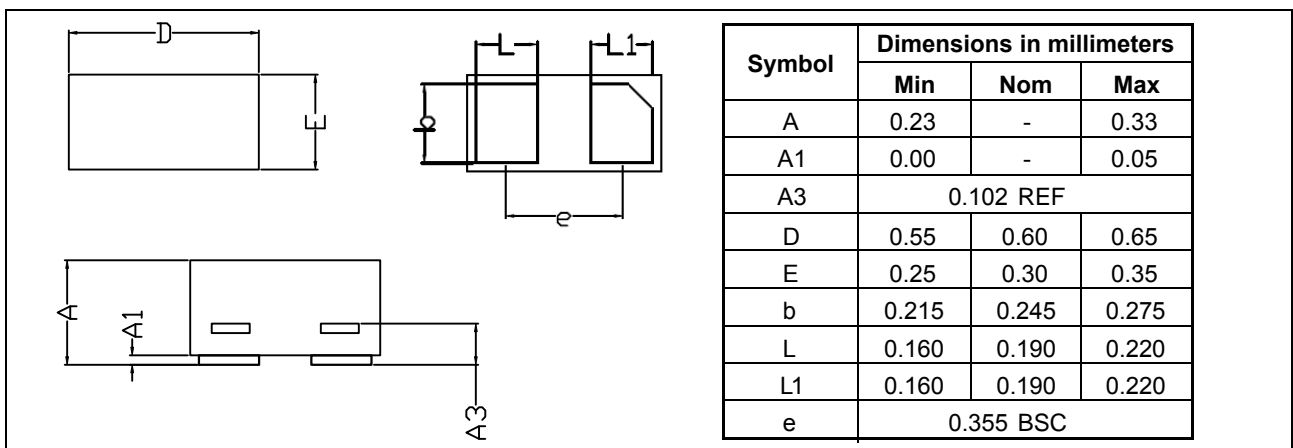
($T_A = 25$ °C unless otherwise specified)

Parameter	Symbol	Condition	Min	Typ	Max	Unit
Reverse stand-off Voltage	V_{RWM}				24	V
Reverse Breakdown Voltage	V_{BR}	$I_T = 1mA$	25	28		V
Reverse Leakage Current	I_R	$V_{RWM} = 24V$			0.5	μA
Clamping Voltage(IEC61000-4-5)	V_C	$I_{PP} = 2A, t_p = 8/20\mu s$			50	V
Clamping Voltage (TLP)	V_{CL}	$I_{PP} = 16A, t_p = 100ns$		40		V
Dynamic Resistance	R_{dyn}			0.4		Ω
Junction Capacitance	C_J	$V_R = 0V, f = 1MHz$		10		pF

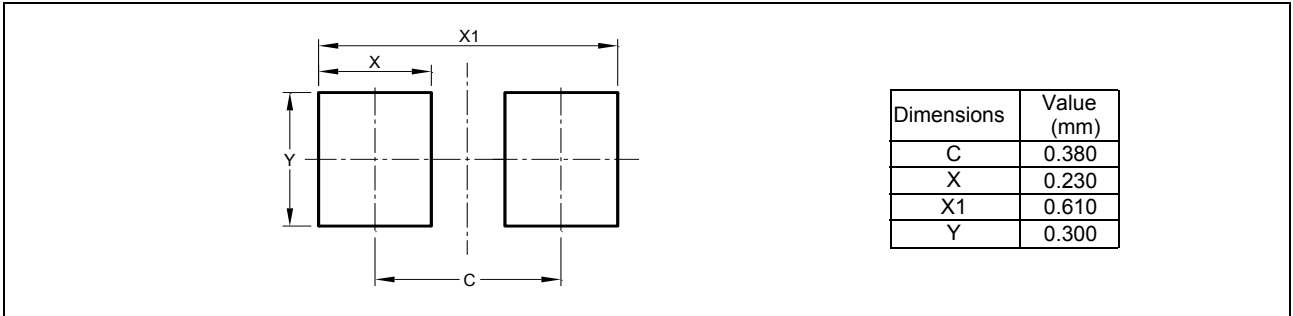
Typical Characteristics ($T_{amb} = 25\text{ }^{\circ}\text{C}$ unless otherwise specified)



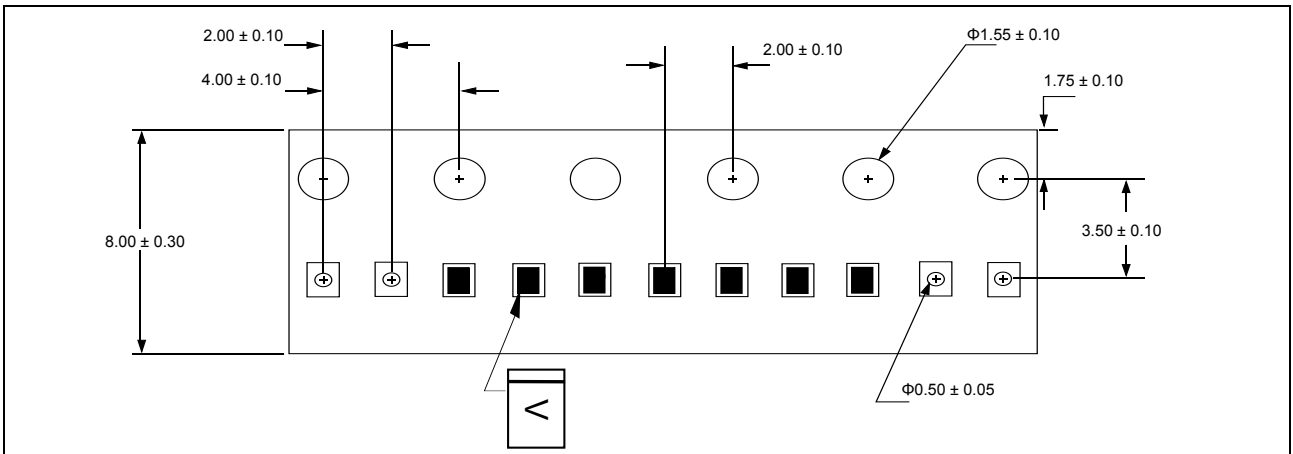
Package Dimensions



Pad Dimensions



Package Information



Marking



Ordering information

Order code	Package	Packaging option	Base quantity	Packaging specification
TESD0603NC24VB	DFN0603	Tape and reel	10Kpcs/ reel	EIA STD RS-481