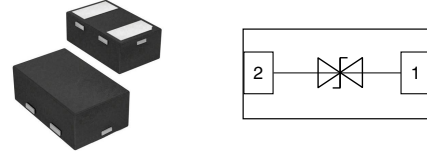


## Ultra Low Capacitance ESD Protection '8 ]cXY]b`DFN0603

### : YUi fYg

- 50Watts peak pulse power (tp = 8/20us)
- DFN0603 package
- Bidirectional configurations
- Solid-state silicon-avalanche technology
- Low clamping voltage
- Low leakage current
- Medium capacitance (CJ=0.2pF typ.)
- Protection one data/power line to:
  - IEC 61000-4-2 ±18kV contact ±18kV air
  - IEC 61000-4-4 (EFT) 40A (5/50ns)
  - IEC 61000-4-5 (Lightning) 7A (8/20µs)



### A YW Ub]WU`8 UU

- 7 UgY. DFN0603 (plastic package).  
Lead free; RoHS compliant; Halogen free
- Ac`X]b[ `7 ca dci bX': `Ua a UV] ]miFU]b[ .  
UL 94 V-0
- HYfa ]bUg. High temperature soldering guaranteed:  
260 °C/10 sec. at terminals

### Applications

- Cell Phone Handsets and Accessories
- Personal Digital Assistants (PDA's)
- Microprocessor based equipment
- Notebooks, Desktops, and Servers
- Portable Instrumentation

### 5 Vgc`i hY`AU ]a i a `FU]b[ g

Ratings at 25 °C, ambient temperature unless otherwise specified

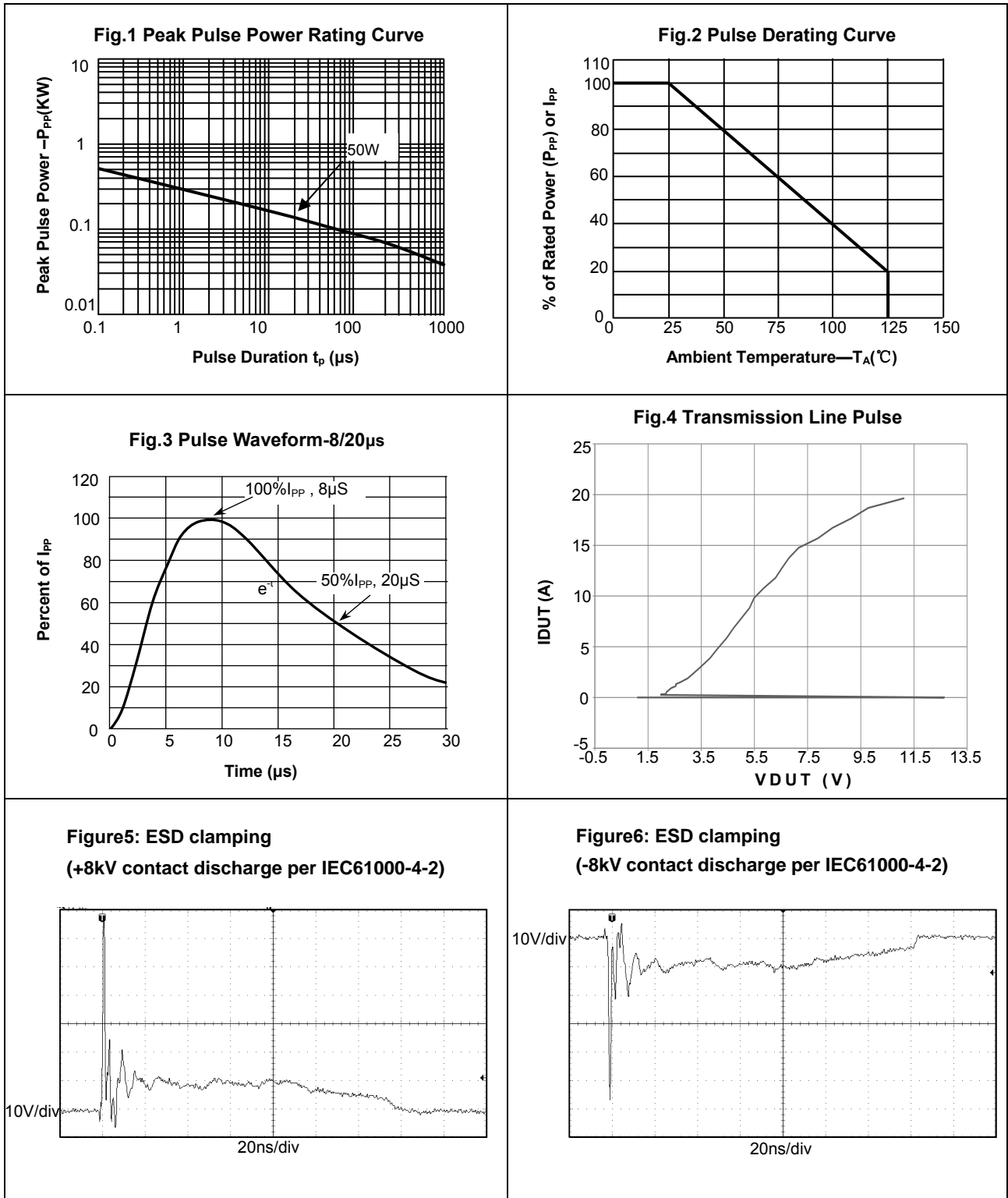
Parameter	Symbol	Value	Unit
Peak Pulse Power (TP=8/20µS)	PP	50	W
ESD contact/air discharge (IEC-61000-4-2)	VESD	18/18	kV
Peak Pulse Current ( tp = 8/20µS )	IPP	7	A
Junction Temperature	TJ	-55 to +125	°C
Storage temperature	TSTG	-55 to +150	°C

### Electrical Characteristics

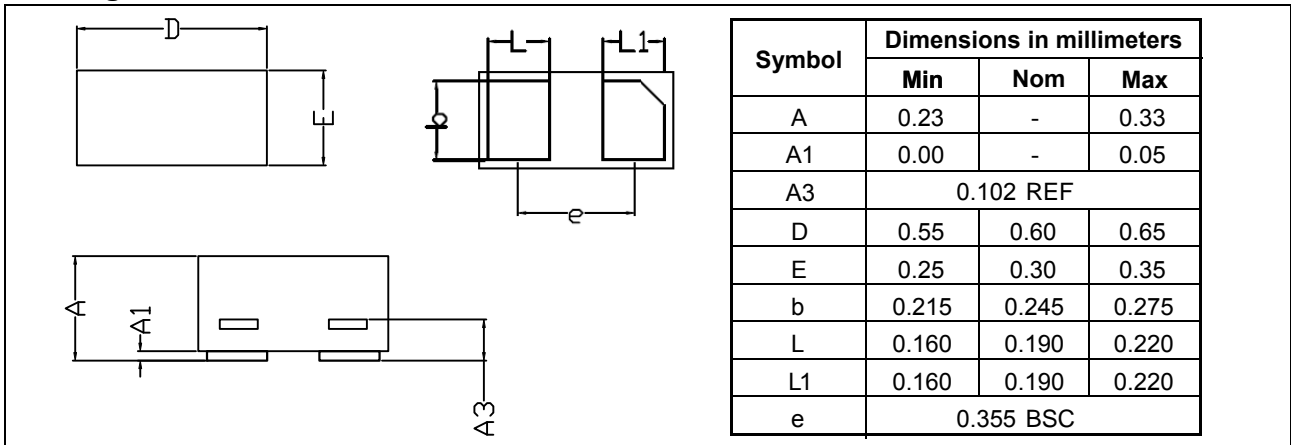
(TA = 25 °C unless otherwise specified)

Parameter	Symbol	Condition	Min	Typ	Max	Unit
Reverse stand-off Voltage	VRWM				3.3	V
Holding Voltage	VH	IT=IH	2.0		5.0	V
Holding Current	IH		15			mA
Reverse Leakage Current	IR	VRWM=5V			500	nA
Clamping Voltage	VC	IPP=7A, tp=8/20µs		6.0	7.5	V
Clamping Voltage(TLP)	VC	IPP=16A, TP=100ns		7.0		V
Trigger Voltage	VT		8		16	V
Dynamic Resistance	Rdyn	TP=100ns		0.25		Ω
Junction Capacitance	CJ	VR=0V, f=1MHz		0.20	0.50	pF

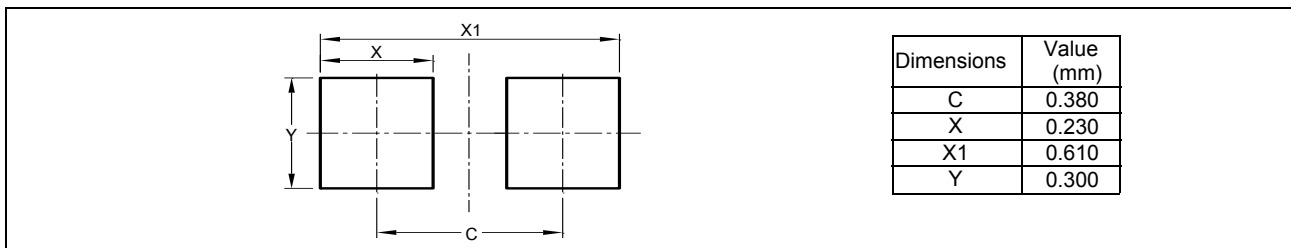
## Typical Characteristics ( $T_{amb} = 25\text{ }^{\circ}\text{C}$ unless otherwise specified)



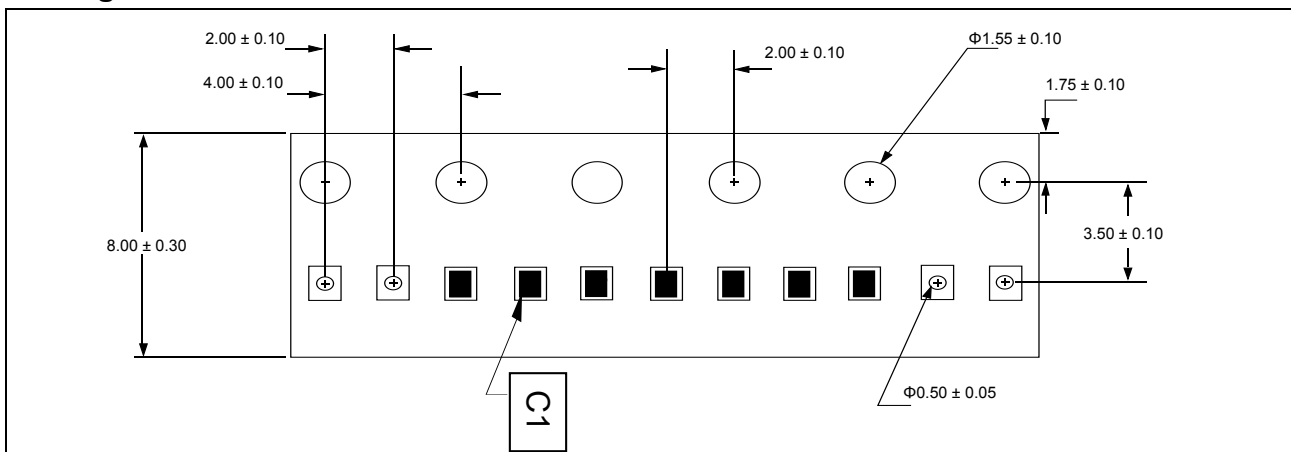
## Package Dimensions



## Pad Dimensions



## Package Information



## Ordering information

Order code	Marking	Package	Packaging option	Base quantity	Packaging specification
TESD0603UC3V3BSH	C1	DFN0603	Tape and reel	10000pcs / reel	EIA STD RS-481