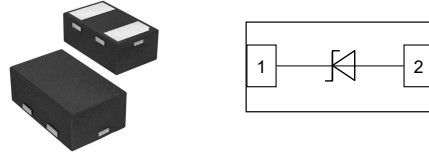


Ultra Low Capacitance ESD Protection 8 [cXY]b DFN0603

: YUi fYg

- 80Watts peak pulse power ($T_P = 8/20\mu s$)
- DFN0603 package
- Solid-state silicon-avalanche technology
- Low clamping voltage
- Low leakage current
- Medium capacitance ($C_J=0.2pF$ typ.)
- Protection one data/power line to:
 - IEC 61000-4-2 $\pm 12kV$ contact $\pm 15kV$ air
 - IEC 61000-4-4 (EFT) 40A (5/50ns)
 - IEC 61000-4-5 (Lightning) 3.5A (8/20 μs)



A YW Ub]WU`8 UU

- 7 UgY. DFN0603 (plastic package).
Lead free; RoHS compliant; Halogen free
- Ac`X]b[`7 ca dci bX: `Ua a UV]]miFU]b[.
UL 94 V-0
- Hyfa]bUg. High temperature soldering guaranteed:
260 °C/10 sec. at terminals

Applications

- Cell Phone Handsets and Accessories
- Personal Digital Assistants (PDA's)
- Microprocessor based equipment
- Notebooks, Desktops, and Servers
- Portable Instrumentation

5 Vgc`i hY`AU]a i a `FU]b[g

Ratings at 25 °C, ambient temperature unless otherwise specified

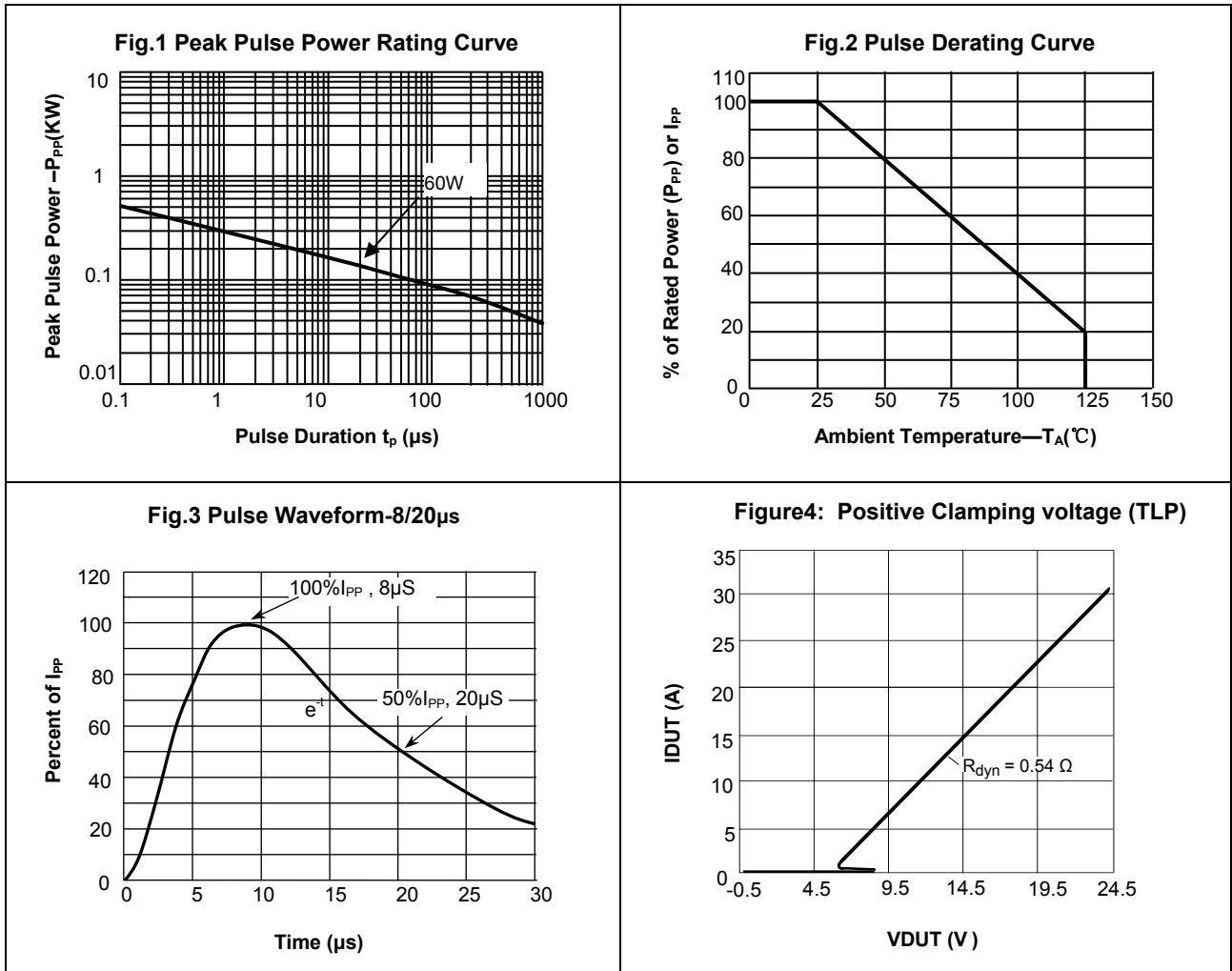
Parameter	Symbol	Value	Unit
Peak Pulse Power ($T_P=8/20\mu s$)	P_{PP}	80	W
ESD contact/air discharge (IEC-61000-4-2)	V_{ESD}	12/15	kV
Peak Pulse Current ($T_P = 8/20\mu s$)	I_{PP}	3.5	A
Junction Temperature	T_J	-55 to +125	°C
Storage temperature	T_{STG}	-55 to +150	°C

Electrical Characteristics

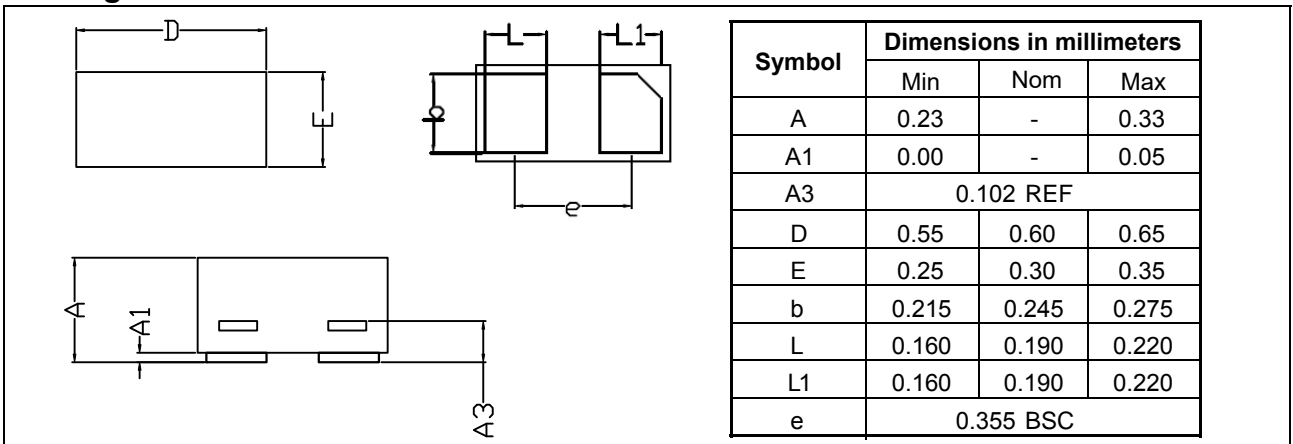
($T_A = 25\text{ °C}$ unless otherwise specified)

Parameter	Symbol	Condition	Min	Typ	Max	Unit
Reverse stand-off Voltage	V_{RWM}				5.0	V
Reverse Breakdown Voltage	V_{BR}	$I_T=1mA$	6.0			V
Reverse Leakage Current	I_R	$V_{RWM}=5V$			100	nA
Clamping Voltage	V_C	$I_{PP}=1.0A, t_p=8/20\mu s$			13	V
Clamping Voltage(TLP)	V_C	$I_{PP}=16A, T_P=100ns$			14.5	V
Dynamic Resistance	R_{dyn}	$T_P=100ns$		0.54		Ω
Junction Capacitance	C_J	$V_R=0V, f=1MHz$		0.2		pF

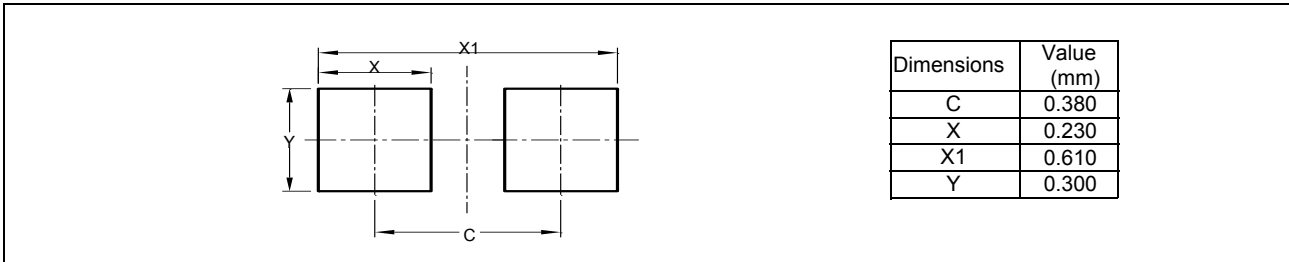
Typical Characteristics ($T_{amb} = 25\text{ }^{\circ}\text{C}$ unless otherwise specified)



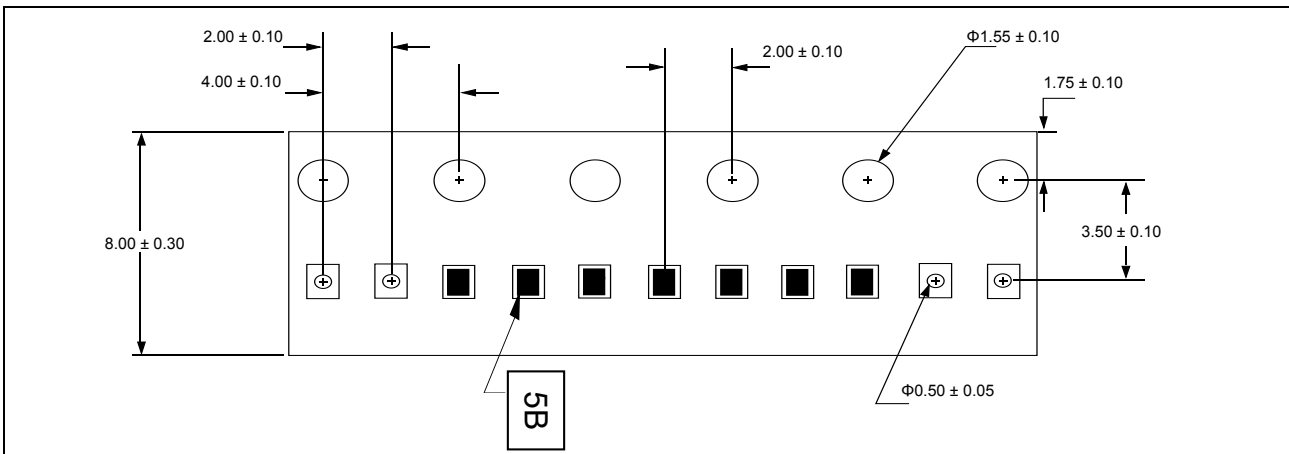
Package Dimensions



Pad Dimensions



Package Information



Marking



Ordering information

Order code	Package	Packaging option	Base quantity	Packaging specification
TESD0603UC5VU	DFN0603	Tape and reel	10000pcs / reel	EIA STD RS-481