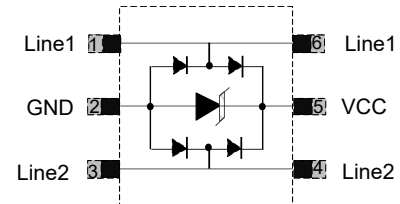
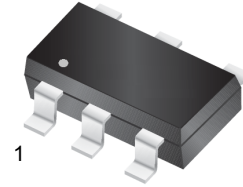


## Low Capacitance ESD/TVS Array in SOT23-6

### Features

- 600Watts peak pulse power ( $t_p = 8/20\mu s$ )
- SOT23-6 Package
- Solid-state silicon-avalanche technology
- Low clamping voltage
- Low leakage current
- Low capacitance(1.2pF typical,Line to Line)
- ESD capability according to AEC-Q101:  
human body model: class H3B: > 8 kV
- ESD Protection for high-speed data lines to:  
IEC 61000-4-2  $\pm 30kV$  contact  $\pm 30kV$  air  
IEC 61000-4-4 (EFT) 40A (5/50ns)  
IEC 61000-4-5 (Lightning) 30 A (8/20 $\mu s$ )



### Mechanical Data

- **Case:** SOT23-6 (plastic package).  
Lead free; RoHS compliant; Halogen free
- **Molding Compound Flammability Rating:**  
UL 94 V-0
- **Terminals:** High temperature soldering guaranteed:  
260 °C/10 sec. at terminals

### Applications

- USB 2.0, MHL
- Ethernet
- Unified Display Interface (UDI)
- Digital Visual Interface (DVI)

### Absolute Maximum Ratings

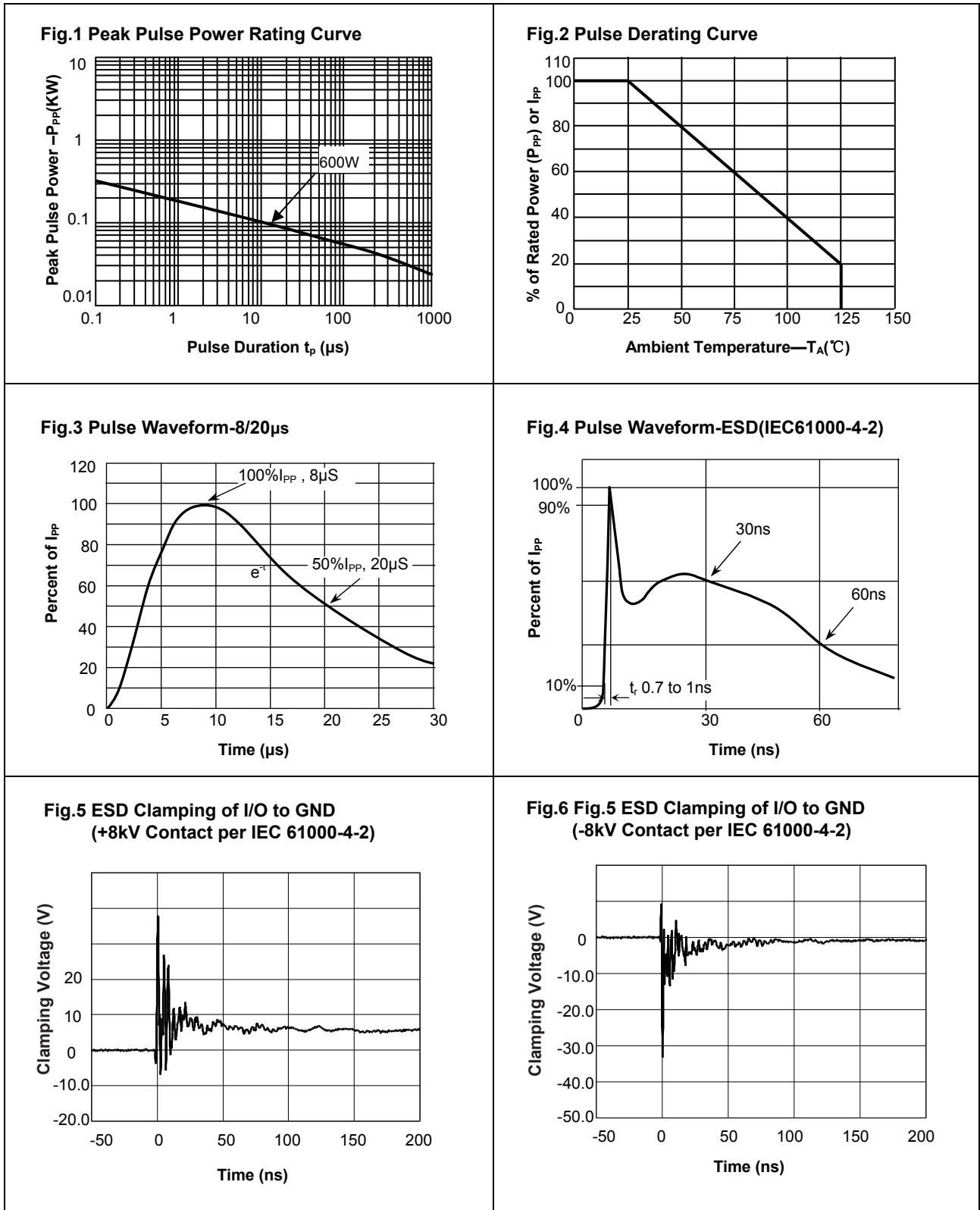
Ratings at 25 °C, ambient temperature unless otherwise specified

Parameter	Symbol	Value	Unit
Peak Pulse Power ( $T_p=8/20\mu s$ )	$P_{PP}$	600	W
ESD contact/air discharge (IEC-61000-4-2)	$V_{ESD}$	30/30	kV
Peak Pulse Current ( $T_p = 8/20\mu s$ )	$I_{PP}$	30	A
Junction Temperature	$T_J$	-55 to +150	°C
Storage temperature	$T_{STG}$	-55 to +150	°C

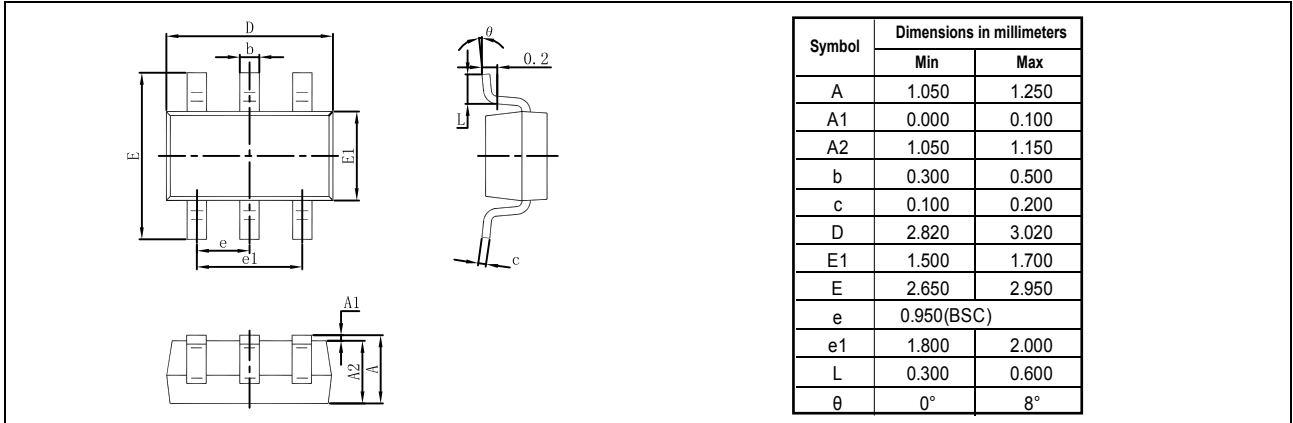
### Electrical Characteristics ( $T_A = 25\text{ °C}$ unless otherwise specified)

Parameter	Symbol	Condition	Min	Typ	Max	Unit
Reverse Stand-Off Voltage	$V_{RWM}$				5.0	V
Reverse Breakdown Voltage	$V_{BR}$	$I_T=1mA$	6.0			V
Reverse Leakage Current	$I_R$	$V_{RWM}=5V, T=25\text{ °C}$			0.5	$\mu A$
Clamping Voltage	$V_C$	$I_{PP}=30A, T_p=8/20\mu s$			20	V
Junction Capacitance	$C_j$	$V_R = 0V, f = 1MHz$ Line to Line		1.2		pF
		$V_R = 0V, f = 1MHz$ Line to GND		2.2		pF

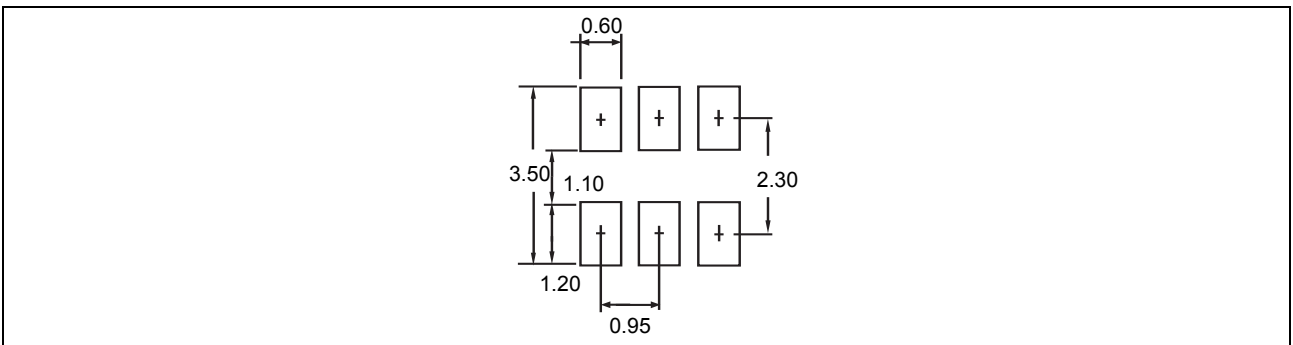
## Typical Characteristics ( $T_{amb} = 25\text{ }^{\circ}\text{C}$ unless otherwise specified)



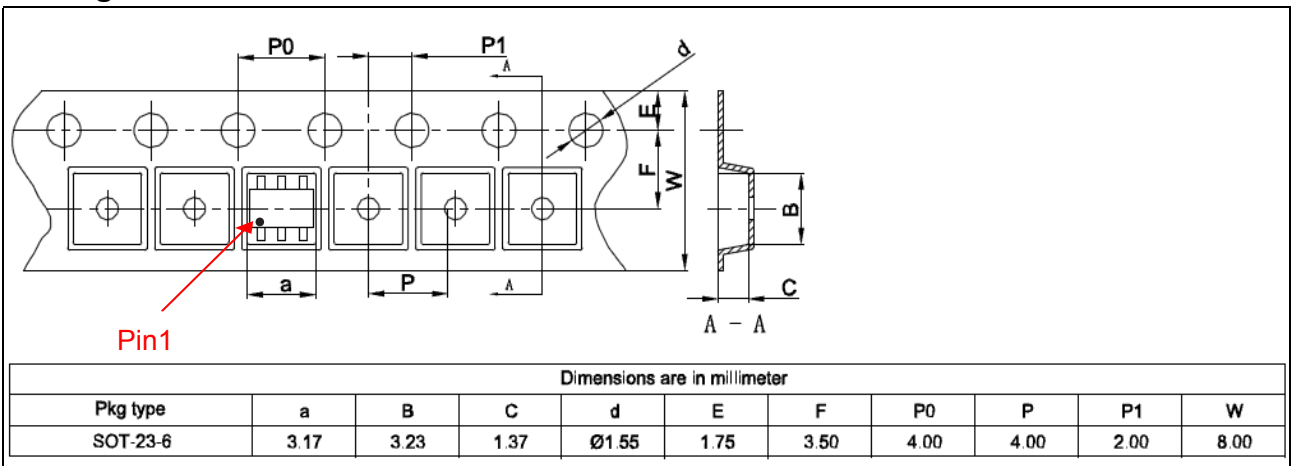
## Package Dimensions



## Pad dimensions



## Package information



## Ordering information

Order code	Marking	Package	Packaging option	Base quantity	Packaging specification
TEST236LC5VUTH	E05	SOT23-6	Tape and reel	3000pcs / reel	EIA STD RS-481