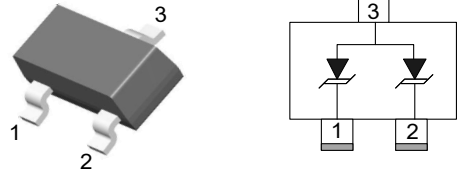


## ESD TVS Array in SOT-23

### Features

- 350Watts peak pulse power ( $T_P = 8/20\mu s$ )
- Tiny SOT-23 package
- Unidirectional configurations
- Protects two I/O port
- Low clamping voltage
- Low Leakage current
- ESD-immunity acc. IEC 61000-4-2  $\pm 30kV$  contact  $\pm 30kV$  air
- IEC 61000-4-4 (EFT) 40A (5/50ns)
- IEC 61000-4-5 (Lightning) 15A (8/20 $\mu s$ )



### Mechanical Data

- **Case:** SOT-23 (plastic package).  
Lead free; RoHS compliant; Halogen free
- **Molding Compound Flammability Rating:**  
UL 94 V-0
- **Terminals:** High temperature soldering guaranteed:  
260 °C/10 sec. at terminals

### Applications

- Cellular Handsets and Accessories
- RS-232, RS-422 & RS-485
- Control & Monitoring Systems
- Set-Top Box
- Portable Electronics
- Other electronics equipments Communication systems

### Absolute Maximum Ratings

Ratings at 25 °C, ambient temperature unless otherwise specified

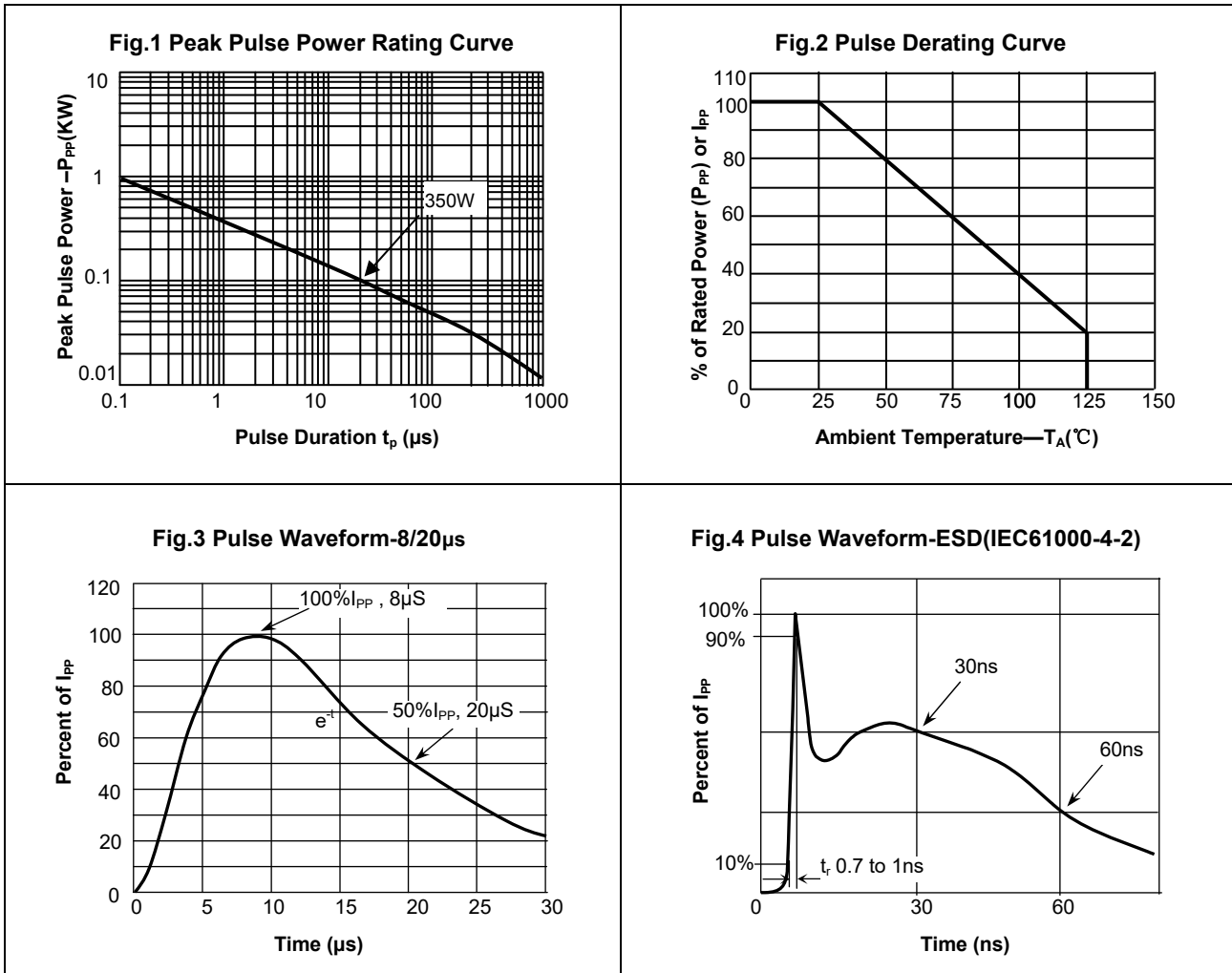
| Parameter                                 | Symbol    | Value       | Unit |
|---|-----------|-------------|------|
| Peak Pulse Power ( $T_P=8/20\mu s$ )      | $P_{PP}$  | 350         | W    |
| ESD contact/air discharge (IEC-61000-4-2) | $V_{ESD}$ | 30/30       | kV   |
| Peak Pulse Current ( $T_P = 8/20\mu s$ )  | $I_{PP}$  | 15          | A    |
| Junction Temperature                      | $T_J$     | -55 to +125 | °C   |
| Storage temperature                       | $T_{STG}$ | -55 to +150 | °C   |

### Electrical Characteristics

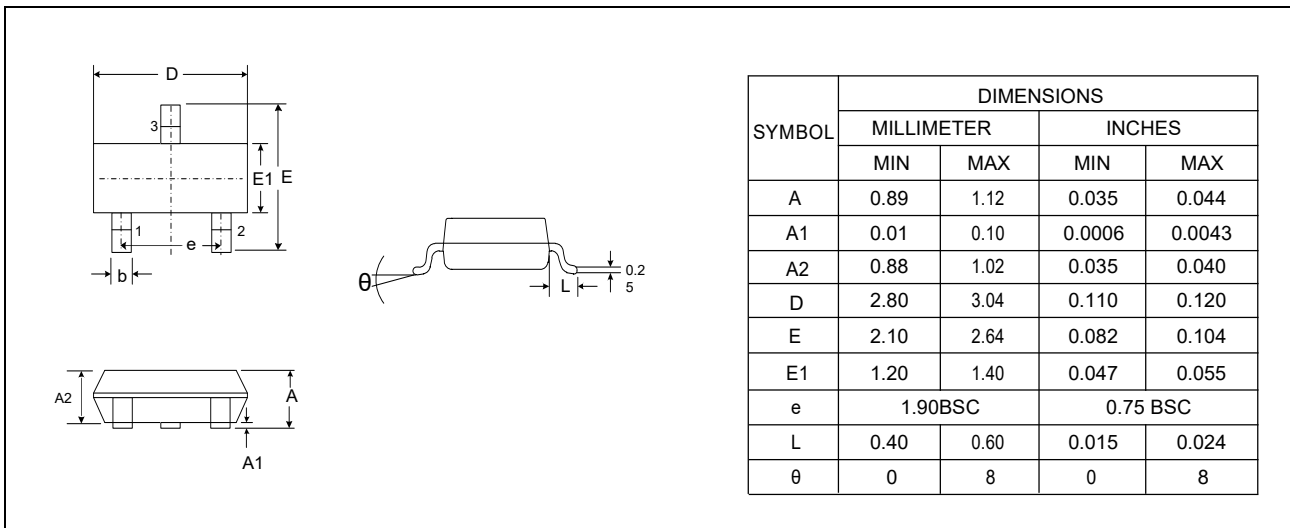
( $T_A = 25\text{ °C}$  unless otherwise specified)

| Parameter                        | Symbol    | Condition        | Min | Typ | Max | Unit    |
|----------------------------------|-----------|------------------|-----|-----|-----|---------|
| Reverse stand-off Voltage        | $V_{RWM}$ |                  |     |     | 8   | V       |
| Reverse Breakdown Voltage        | $V_{BR}$  | $I_T=1mA$        | 9   |     |     | V       |
| Reverse Leakage Current          | $I_R$     | $V_{RWM}=8V$     |     |     | 0.5 | $\mu A$ |
| Clamping Voltage (IEC 61000-4-5) | $V_C$     | $I_{PP}=15A$     |     | 25  |     | V       |
| Junction Capacitance             | $C_J$     | $V_R=0V, f=1MHz$ |     | 35  |     | pF      |

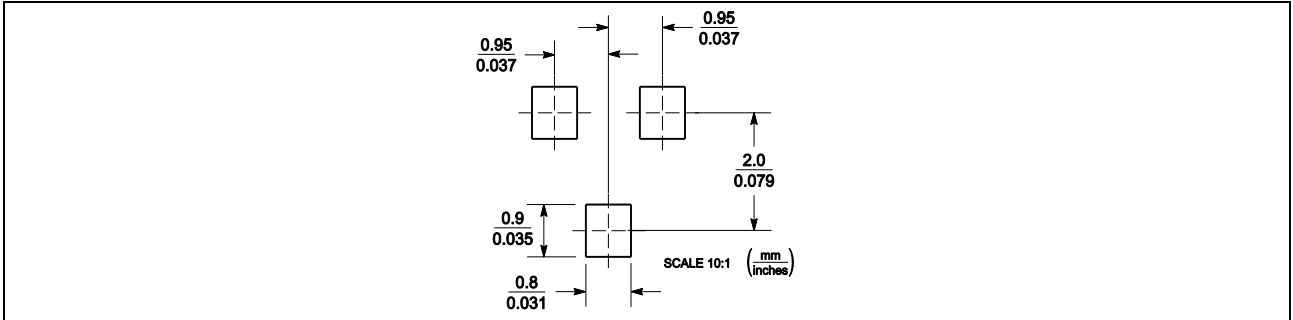
## Typical Characteristics ( $T_{amb} = 25\text{ }^{\circ}\text{C}$ unless otherwise specified)



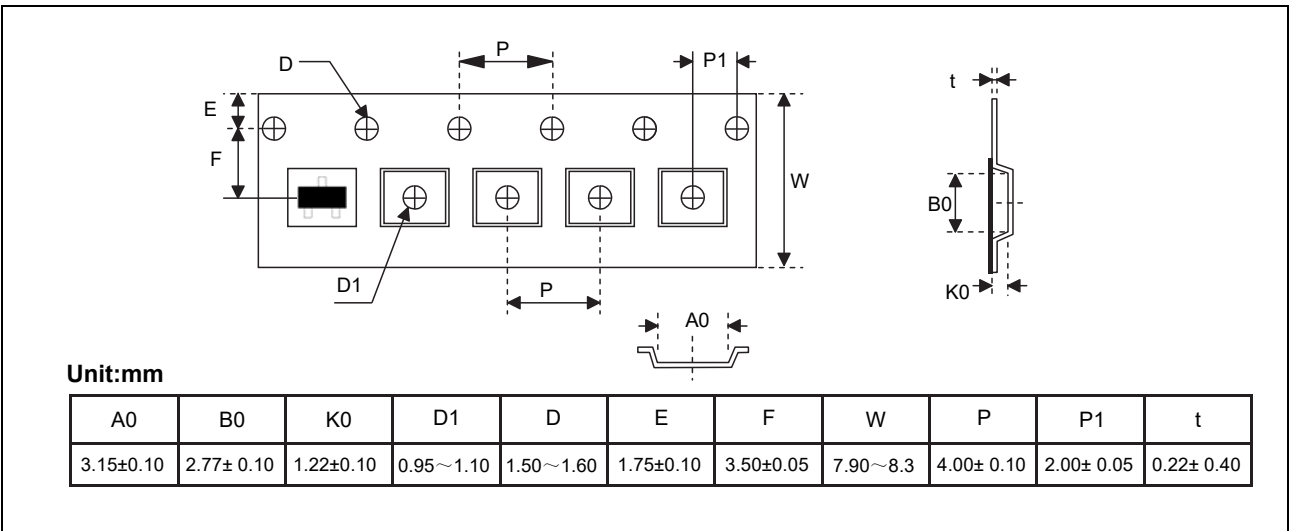
## Package Dimensions



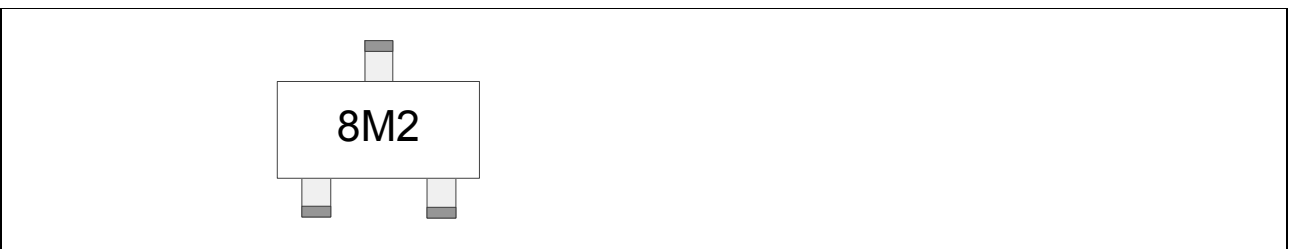
## Pad Dimensions



## Package Information



## Marking



## Ordering information

| Order code  | Package | Packaging option | Base quantity  | Packaging specification |
|-------------|---------|------------------|----------------|-------------------------|
| TEST23NC8VU | SOT-23  | Tape and reel    | 3000pcs / reel | EIA STD RS-481          |